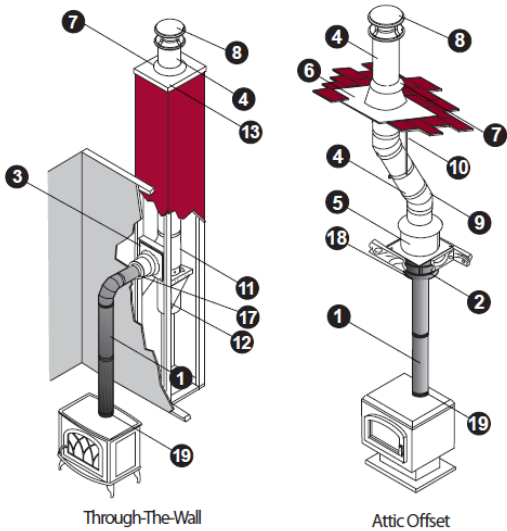
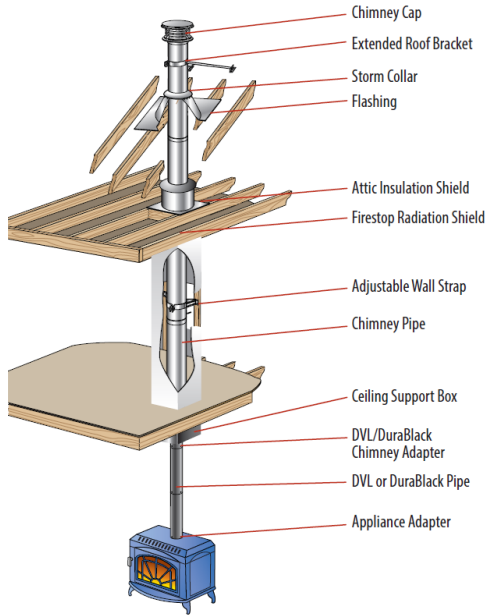


Making Fire 101:

- **Vehicle:** Fireplace, Stove, Insert & Logs
- **Fuel:** Gas, Wood, Pellet & Electric {Gas Types: Natural, Propane, Ethanol}
- **Venting:** Direct vent , Vent-free or B-Vent
- **Ignition:** Manual, Millivolt, Electronic & Multi
- **Controls:** Manual, Wall switch, Remote Control, SMART controls
- **Chimney:** pipe, chase, stack

Heat + Fuel + Air = FIRE



Installation Key		
1	DVL or DuraBlack	11 Tee with Tee Cap
2	Ceiling Support	12 Tee Support
3	Wall Thimble	13 Chase Top Flashing
4	Chimney Pipe	14 Base Tee/Double Tee
5	Attic Insulation Shield	15 Anchor Plate or Anchor Plate with Damper
6	Flashing	16 Roof Support
7	Storm Collar	17 Finishing Collar
8	Chimney Cap	18 DVL Adapter, DuraBlack Slip Connector, or Snap-Lock Adapter
9	Elbow	19 DVL Adapter (w/ or w/o damper)
10	Elbow Strap	